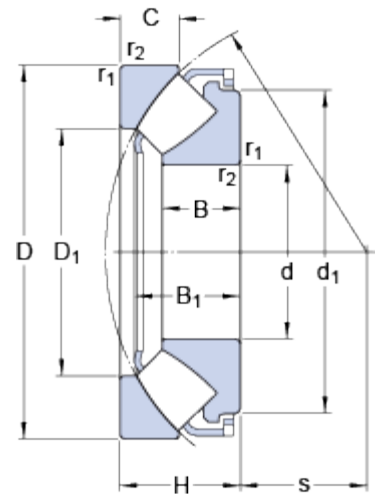


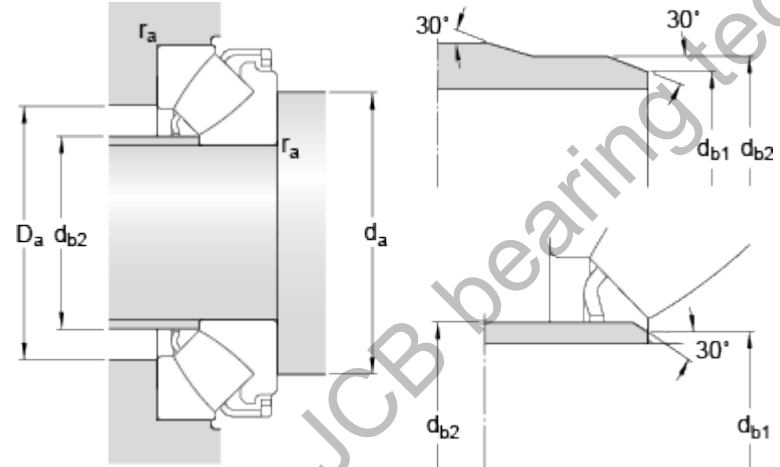
29434 -YA8

Dimensions



d	170	mm
D	340	mm
H	103	mm
d ₁	≈ 297	mm
D ₁	≈ 236	mm
B	65.5	mm
B ₁	91.2	mm
C	50	mm
s	104	mm
r _{1,2}	min. 5	mm

Abutment dimensions



d _a	min. 250	mm
d _{b1}	max. 185	mm
d _{b2}	max. 199	mm
D _a	max. 286	mm
r _a	max. 4	mm

Calculation data

Basic dynamic load rating	C	2360	kN
Basic static load rating	C ₀	6550	kN
Fatigue load limit	P _u	640	kN
Reference speed		1100	r/min
Limiting speed		1900	r/min
Minimum axial load factor	A	4.1	

Mass

Mass bearing		44.5	kg
--------------	--	------	----